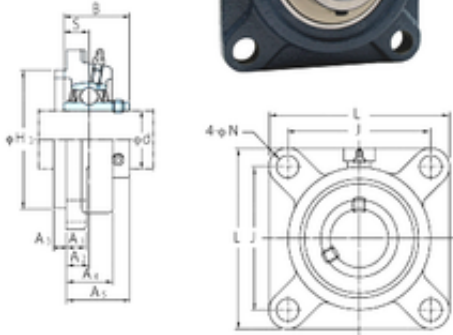




BEARING CORP.OF CANADA LTD.

FYH UCFS321 bearing units

Bearing No. UCFS321



UCFS321 Bearing 2D drawings and 3D CAD models

Bore Diameter	105 mm
d	105 mm
H3	260 mm
A4	74 mm
A5	107 mm
A1	32 mm
B	112 mm
J	242 mm
L	310 mm
N	38 mm
S	44 mm
Bolt (G)	M33
A2	39 mm
A3	20 mm
Weight	32,7 Kg
Basic dynamic load rating (C)	184 kN
Basic static load rating (C0)	153 kN